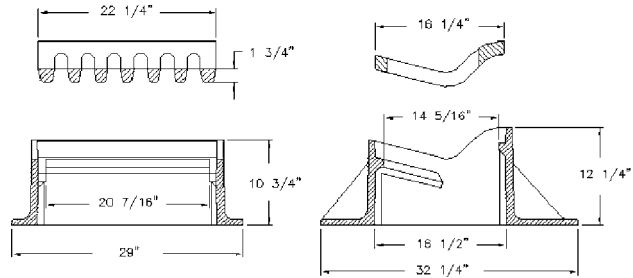


7171 CATCH BASIN CURB INLET

Heavy duty
 With 7170 Type M2 grate
 Approximate 140 sq. in. open area
 Available without front flange — 7170



Type M1 Grate
 Approx. 185 sq. in.
 open area

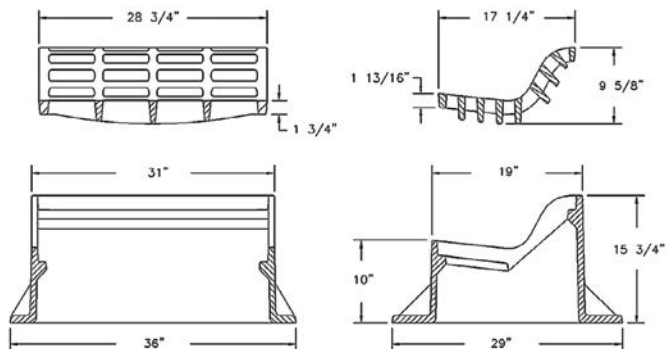


7180 CATCH BASIN CURB INLET

Heavy duty
 With Type M1 grate
 Approximate 270 sq. in. open area



Type M2 Grate
 Approx. 215 sq. in.
 open area



Supplied By:



877-903-7246

www.trenchdrainsupply.com